

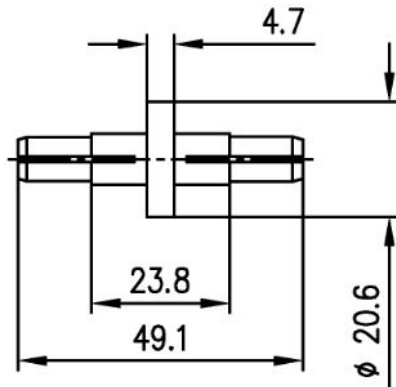


## EIA78 BULLET

7/8" transmission line/connector bullet

DC to maximum 5 GHz

 In-stock  
Ready to  
Ship



|                            |                                                                                                                                    |
|----------------------------|------------------------------------------------------------------------------------------------------------------------------------|
| Interface                  | 7/8" EIA 50 Ohm per IEC 60339-2                                                                                                    |
| Construction               | Inner Conductor: Silver plated copper alloy<br>Insulator: FEP<br>Securing hardware: 304 stainless steel<br>O-ring: silicone rubber |
| Frequency range            | DC ~ 5 GHz                                                                                                                         |
| Impedance - nominal        | 50 Ohms                                                                                                                            |
| VSWR                       | 1.01:1 at DC ~ 1.0 GHz<br>1.02:1 at 1.0 ~ 2.7 GHz<br>1.07:1 at 2.7 ~ 5.0 GHz                                                       |
| Max. peak power            | 5 kW / 5000 Watts                                                                                                                  |
| Dimensions                 | Length: 49.1mm<br>Insulator Diameter: 20.6mm<br>Insulator Thickness: 4.7mm                                                         |
| Weight                     | 60grams - approx.                                                                                                                  |
| Securing hardware supplied | 3 x M6 x 30mm hex head set screws<br>3 x M6 hex nuts<br>6 x M6 flat washers<br>3 x M6 spring washers<br>1 x silicone O-ring        |